



ESW-2128GSFP

24 ports 10/100Mbps Copper with Uplink 4 Combo ports (10/100/1000Mbps copper and 1000Mbps SFP) Managed Ethernet Switch

KEY FEATURES

- Comply with IEEE 802.3 10Base-T, 802.3u 100Base-TX, 802.3ab 1000Base-T, & 802.3z 1000Base-X standards
- 24 x 10/100Mbps copper ports
- 4 Combo ports (10/100/1000Mbps copper and 1000Mbps SFP)
- Store and Forward Switching Mechanism
- Auto-Cross over for MDI/MDIX in TP port
- Auto-Negotiation in TP port
- Support SFF-8472 DMI(diagnostic monitor interface)
- Support SNMP, CLI, Telnet, Web management
- Comply with IEEE 802.1p Priority
- Comply with IEEE 802.1q Tag VLAN / Port based VLAN
- Comply with IEEE 802.1w Rapid Spanning Tree Protocol
- Comply with IEEE 802.1x Port Based Network Access Control
- Support IEEE 802.3ad Link Aggregation Control Protocol(LACP)*
- Support jumbo frame on all ports up to 9612 bytes size
- Support QoS classification based on IEEE 802.1p, VID, ToS/DSCP/CoS, Ethertype, TCP/UDP port No.
- IPv4 DSCP Remarking
- Support Provider bridging with multiple VLAN tags (Q-in-Q)
- Support Protocol Base VLAN
- Support Rate Limit Control
- Support Static Multicasting
- Support IGMP Snooping v1, v2
- Support IGMP fast leave
- Support IGMP filtering via Filtering Profile
- Support Multicast channel limitation per port
- Support Multicast VLAN Registration (MVR)
- Support DHCP client and provision server
- Support DHCP Snooping
- Support RFC3046 DHCP relay agent with option.82
- Support Access Control List(ACL)
- Support ARP Inspection* and IP Source Guard
- Support Port Isolation
- Support IPv6 & UPnP Filtering
- Support RADIUS Authentication
- Support SNMP v1, v2c network management
- Support private, RFC-1213, RMON MIBs
- Support Port Mirror
- Support FTP, TFTP server and client firmware upgrade
- Support SNTP Time Server
- Support Power Down Trap Management
- Standard 19 inches form factor for convenience of rack mount



* Coming soon

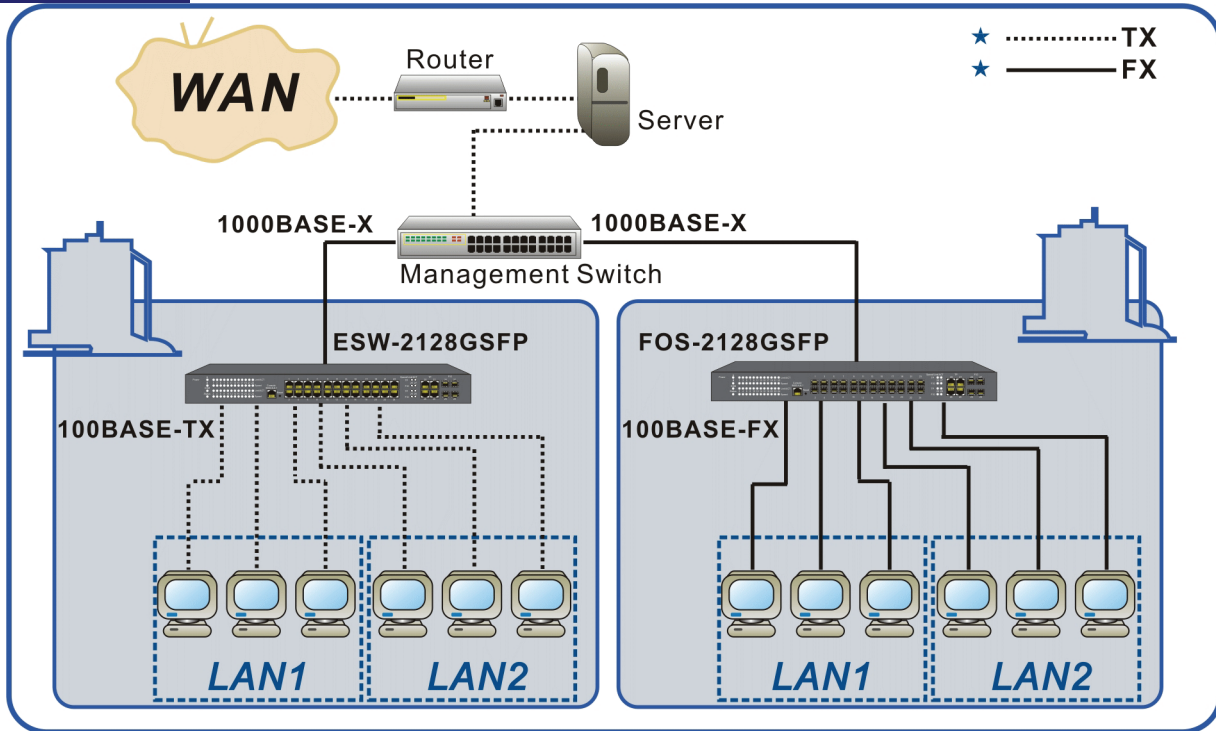
DESCRIPTIONS

The Connection Technology Systems new managed ESW-2128GSFP Switch is a Layer 2 switch that provides 24 ports
DS-S034-ESW-2128GSFP_A02

10/100Mbps Copper + 4 Combo ports (10/100/1000Mbps copper and 1000Mbps SFP) in front panel and optional 1 or 2 power in rear panel with “Application QoS”, “Multicast VLAN Registration” and “Q-in-Q VLAN tunneling” features. It creates a new standard in FTTX to solve network transmit bottle neck and provide VoIP, IPTV and high speed Internet to triple play users.

The ESW-2128GSFP is designed to meet the emerging FTTX & Metro Ethernet requirement. Its standard profile appearance with 1U height and 19 inches rack-mount size achieve the highest density within a single rack. When massive of fiber ports need to deploy, ESW-2128GSFP provides the best performance and price ratio.

APPLICATION



SPECIFICATIONS

Standard

IEEE 802.3 10Base-T
 IEEE 802.3u 100Base-TX
 IEEE 802.3ab 1000Base-T
 IEEE 802.3z 1000Base-X
 IEEE 802.3ad Link Aggregation *
 IEEE 802.1w Rapid Spanning Tree
 IEEE 802.1p Priority
 IEEE 802.1q Tag VLAN
 IEEE 802.1X Port Based Network
 Access Control

Interface

10/100Mbps RJ-45 x 24
 1000Mbps Combo ports x 4
 DB-9 (DTE) console port x 1

LED

Power A/B, COM, Status, Speed,
 Link/ACT

Product Spec:

Mac address table: 16K
 Memory buffer: Total 448K bytes
 VLANs: Support up to 128 VLAN Groups
 Priority Queues: 8 Queues

Forward / Filter Rate

10M: 14,880/14,880pps
 100M: 148,800/148,800pps
 1000M: 1,488,000/1,488,000pps

Power

Input AC 90V-240V 50/60Hz
 Input DC 48VDC
 Power Consumption: 19W

Typical Operation & Storage Temperature

Operation: 0° ~ 50°C
 Storage Temperature: -20° ~ 60°C
 Humidity: 5% ~ 90% non-condensing

Dimension & Weight

Size: 440 x 205 x 44 mm (WxDxH)
 Shipping Weight: 5KG

Emission/Safety

FCC Class A, CE
 * For further reports, please contact us for update.

ORDER INFORMATION

ESW-2128GSFP-1A

(1 Fixed AC)

ESW-2128GSFP-2A

(2 Fixed Redundant AC)

ESW-2128GSFP-1D

(1 Fixed DC POWER)

ESW-2128GSFP-2D

(2 Fixed Redundant DC)