



SWH-2126GSFP

24 ports 10/100Base-TX with Uplink 2 Combo ports (10/100/1000Mbps copper and 1000Mbps SFP) Managed Ethernet Switch

KEY FEATURES

- Comply with IEEE 802.3 10Base-T, 802.3u 100Base-TX, 802.3ab 1000Base-T, & 802.3z 1000Base-X standards
- 24 ports 10/100Base-TX
- 2 Combo ports (10/100/1000Mbps copper and 1000Mbps SFP)
- Store and Forward Switching Mechanism
- Auto-Cross over for MDI/MDIX in TP port
- Auto-Negotiation in TP port
- Support SFF-8472 DMI(diagnostic monitor interface)
- Support SNMP, CLI, Telnet, Web management
- Comply with IEEE 802.1p Priority
- Comply with IEEE 802.1q Tag VLAN / Port based VLAN
- Comply with IEEE 802.1w Rapid Spanning Tree Protocol
- Comply with IEEE 802.1x Port Based Network Access Control
- Support IEEE 802.3ad Link Aggregation Control Protocol(LACP)*
- Support jumbo frame on all ports up to 9216 bytes size
- Support QoS classification based on IEEE 802.1p, VID, ToS/DSCP/CoS, Ethertype, TCP/UDP port No.
- IPv4 DSCP Remarking
- Support Provider bridging with multiple VLAN tags (Q-in-Q)
- Support Protocol Base VLAN
- Support Rate Limit Control
- Support Static Multicasting
- Support IGMP Snooping v1, v2
- Support IGMP fast leave
- Support IGMP filtering via Filtering Profile
- Support Multicast channel limitation per port
- Support Multicast VLAN Registration (MVR)
- Support DHCP client and provision server
- Support DHCP Snooping
- Support RFC3046 DHCP relay agent with option.82
- Support Access Control List(ACL)
- Support ARP Inspection* and IP Source Guard
- Support Port Isolation
- Support IPv6 & UPnP Filtering
- Support RADIUS Authentication
- Support SNMP v1, v2c network management
- Support private, RFC-1213, RMON MIBs
- Support Port Mirror
- Support FTP, TFTP server and client firmware upgrade
- Support SNTP Time Server
- Support Power Down Trap Management



“*” means coming soon

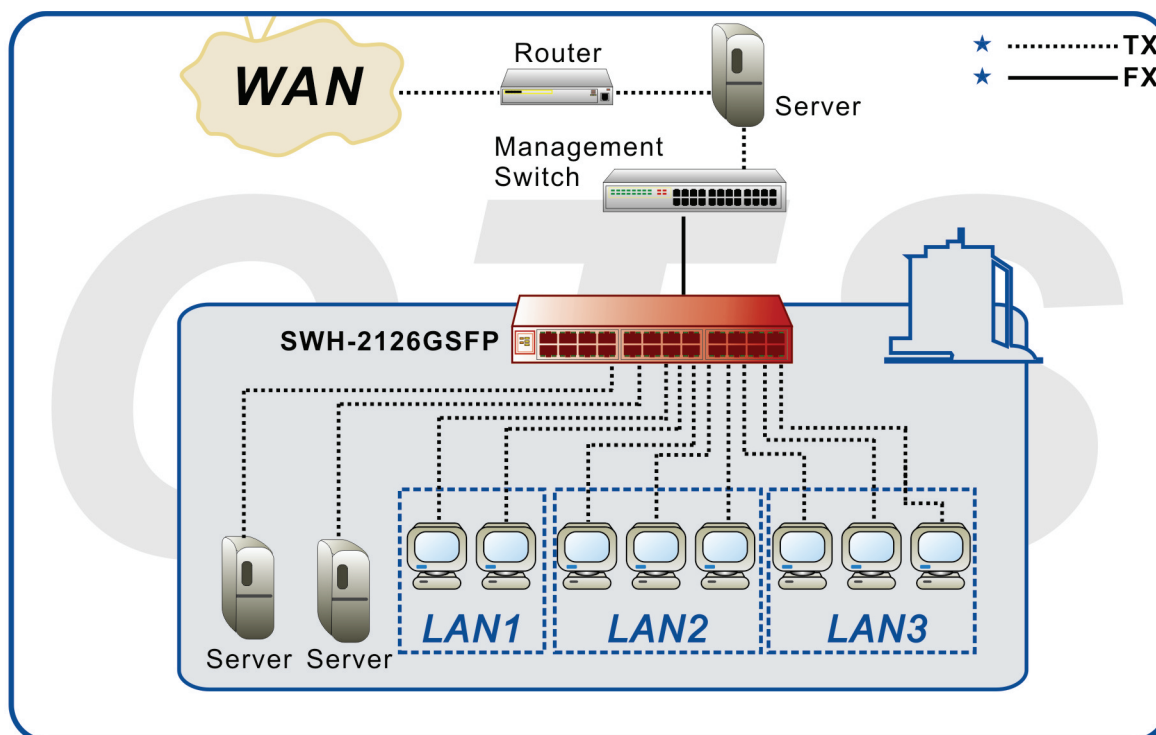
DESCRIPTIONS

The Connection Technology Systems new managed SWH-2126GSFP Switch is a Layer 2 switch that provides 24 ports 10/100Mbps copper and 2 combo ports (10/100/1000Mbps copper and 1000Mbps SFP slot) in front panel with “QoS” and “Q-in-Q VLAN tunneling” features. It creates a new standard in FTTX to solve network transmit bottle neck and provide

VoIP, IPTV and high speed Internet to triple play users.

The SWH-2126GSFP is designed to meet the emerging FTTX & Metro Ethernet requirement. Its low profile appearance with 1U height and standard rack-mount size achieve the highest density within a single rack. When massive of fiber ports need to deploy, SWH-2126GSFP provides the best performance and price ratio.

APPLICATION



SPECIFICATIONS

Standard

IEEE 802.3 10Base-T
IEEE 802.3u 100Base-TX/FX
IEEE 802.3ab 1000Base-T
IEEE 802.3z 1000Base-X
IEEE 802.3ad Link Aggregation *
IEEE 802.1w RSTP
IEEE 802.1p Priority
IEEE 802.1q Tag VLAN
IEEE 802.1X Port Based Network
Access Control

Interface

10/100Base-TX RJ-45 Port: x 24
Combo ports x 2
DB-9 (DTE) console port x 1

LED

Power, Port 25, 26 F/O, Console/Status,

Link/Act, Speed

Product Spec:

Mac address table: 16K
Memory buffer: Total 448K bytes
VLANs: Support up to 128 VLAN Groups
Priority Queues: 8 Queues

Forward / Filter Rate

10M: 14,880/14,880pps
100M: 148,800/148,800pps
1000M: 1,488,000/1,488,000pps

Power

External Power adapter
Input AC120V~240V
Output DC12V / 2.1A
Power consumption: 14W Max.

Typical Operation & Storage Temperature

Operation: 0° ~ 50°C
Storage Temperature: -20° ~ 60°C
Humidity: 5% ~ 90% non-condensing

Dimension & Weight

Size: 240 x 200 x 44 mm (WxDxH)
Shipping Weight: 2.48KG

Emission/Safety

FCC Class A, CE
* For further reports, please contact us for update.

ORDER INFORMATION

SWH-2126GSFP