



## PSH-2109GSFP-PLUS

8 Ports 10/100Base-TX Managed Ethernet Switch with 1 Combo port (10/100/1000 Copper and Dual-Speed SFP)

### KEY FEATURES

- Comply with IEEE 802.3 10BASE-T, 802.3u 100Base-TX, & 802.3z 1000Base-X standards
- Eight 10/100Base-TX ports ,one Combo port (10/100/1000 Copper and Dual-Speed SFP)
- Store and Forward Switching Mechanism
- Auto-Cross over for MDI/MDI-X in TP port
- Auto-Negotiation in TP port
- Support SFP-8472 diagnostic monitoring interface
- Support 8K MAC address
- Support 1M bit Packet Buffer
- Support Packet lengths up to 1632 bytes as a maximum
- Support Broadcast storm suppression
- Comply with IEEE 802.1p Priority
- Comply with IEEE 802.1q tag VLAN
- Support IEEE 802.1p, MAC, Port, TOS, and DiffServ QOS for four queue
- Support Q-in-Q VLAN Tunneling
- Support port based VLAN
- Support IEEE 802.1w Rapid Reconfiguration of Spanning Tree \*
- Support Port mirroring \*
- Support DHCP provision
- Support IGMP Snooping v1, v2 and \*v3
- Support SNMP V1, V2, and V3 network management
- Support Rate Limit Control (per port ingress or egress min. 62K bps, up to 256M bps)
- Support SNMP, Web, Telnet and Console management
- Support SNTP Network Time Protocol
- Support FTP/TFTP Firmware Upgrade
- Support Power Down Trap
- RADIUS Authentication

Mark \* means coming soon.

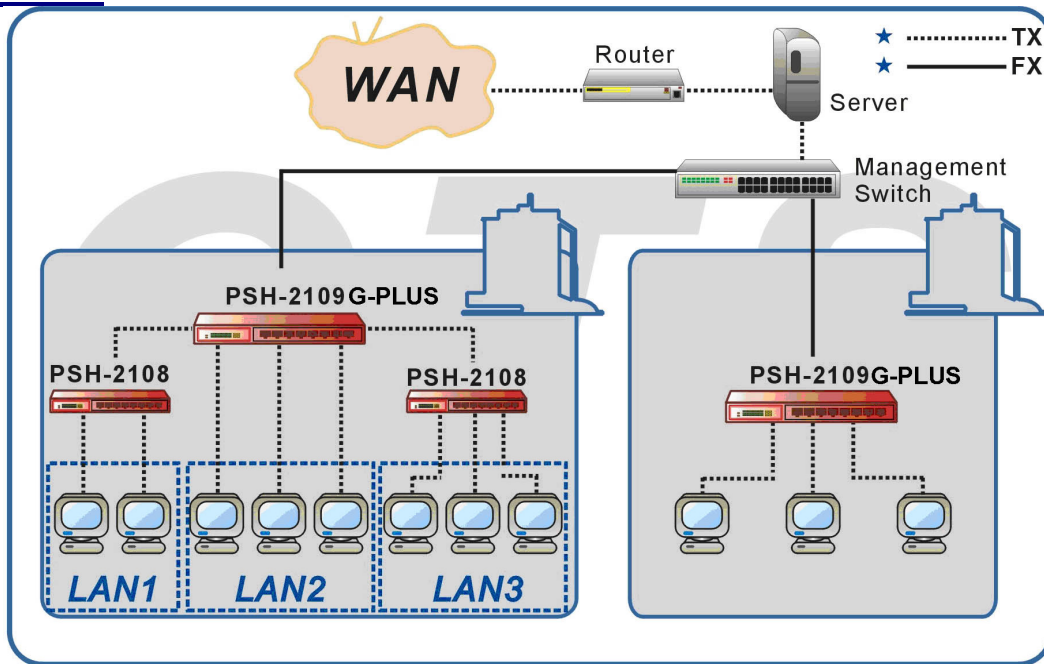


### DESCRIPTIONS

PSH-2109G-PLUS Series Switch from Connection Technology Systems adopts the emerging CTS technology and able to expand a copper based network to fiber and distance from 100M up to 100KM through a Optical fiber. It is going to provide robust and versatile features to fulfill the FTTX demand like Gigabit bandwidth, QoS, Q-in-Q VLAN stacking, Rate limit, SNMP and Web Management.

PSH-2109G-PLUS is fully compliant with IEEE802.3, 802.3u, and 802.3z standards. The installation & operation procedures of PSH-2109G-PLUS are simple & straightforward. Diagnostic LEDs located in the front panel indicate the real time operating status.

# APPLICATION



# SPECIFICATIONS

## Management

Protocol : SNMP , Console ,WEB , CLI \*

## Standard

IEEE 802.3 10Base-T  
IEEE 802.3u 100Base-TX  
IEEE 802.3z 1000Base-X  
IEEE 802.1w Rapid Spanning Tree \*  
IEEE 802.1x secure user authentication \*  
IEEE 802.1q tag VLAN

## Interface

10/100Mbps RJ-45 Port x 8  
Combo port x 1

## LED

Power, FDX/COL, TP Link/ACT, FO Link/ACT,  
Status, Speed

## MAC table & Memory buffer

MAC Address Table: 8 K  
Memory Buffer: 1M bit

## Forward / Filter Rate

10M: 14,880/14,880pps  
100M: 148,800/148,800pps  
1000M: 1,488,000/1,488,000pps

## Power

External Power adapter:  
Input AC 120V-240V  
Output DC 12V  
Power Consumption: 6.6W

## Typical Operation & Storage Temperature

Operation: 0°~50°C  
Storage Temperature: -20°~60°C  
Humidity: 5%~90% non-condensing

## Dimension and Weight

245 x 160 x 34mm (WxDxH)  
Shipping Weight 1.2 KG

## Emission/Safety

FCC Class A  
CE  
\*For further reports, please contact us for update

# ORDER INFORMATION

PSH-2109GSFP-PLUS

