



CVT-RACK-16

16 Slots Universal Media Converter Rack

KEY FEATURES

- Support 16 slots for CVT series Media Converters
- 19-inch Rack Mount, 2U height
- 2 Slide-in Hot-swappable power supply system
- 3 Hot-swappable fans
- LED indication for Primary (Power A) and Back (Power B) power supplies
- Plug & Play Operation
- Redundant and load sharing power supply system

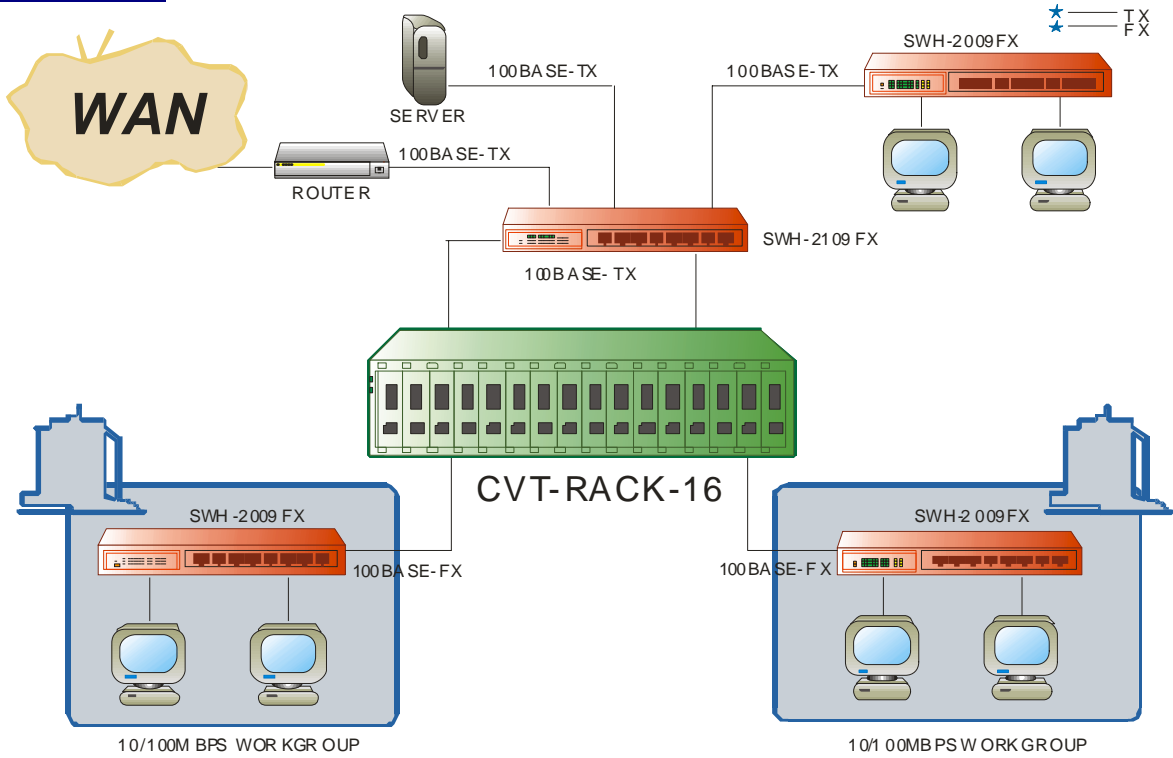


DESCRIPTIONS

CVT-RACK-16, Universal Media Converter Rack, provides 16 slots for any combination of CVT Media Converters. Up to sixteen media converters can be powered by the Converter rack without the requirement of external power supplies. The unit features a redundant power supply system with automatic power load sharing to ensure proper operation even in case of a power supply problem.

More over, to acquire a convenient maintenance, 3 Hot-swappable fans can be changed while CVT-RACK-16 is working. All above user-friendly designs make CVT-RACK-16 in a shape of high performance and reliability. CVT-RACK-16 can be used as a table top unit or installed into a 19-inch rack by using 19-inch brackets shipped together with the unit.

APPLICATION



SPECIFICATIONS

Interface

Number of Module Slot: 16
Number of Power Slot: 2
Number of Fan: 3

LED

Power A · Power B

Redundancy

Power

Hot-Swappable

Fan · Power

Power

Slide in Power module
AC 110V or 240V
DC 5V
Power Consumption: 9.5 W (Empty Loading)

Typical Operation Temperature

Operation: 0°~50°C
Storage Temperature: -20°~60°C Humidity:
5%~90% non-condensing

Case material

Iron / Steel, Plastic

Dimension and Weight

440 x 385x 88 mm (WxDxH)
Shipping Weight 10.8KG

Emission/Safety:

FCC Class A
CE

*For further reports, please contact us for update

ORDER INFORMATION

CVT-RACK-16
CVT-RACK-16-AC Power
CVT-RACK-16 -P1 (W/1 AC Power)
CVT-RACK-16 -P2 (W/2 AC Power)

