

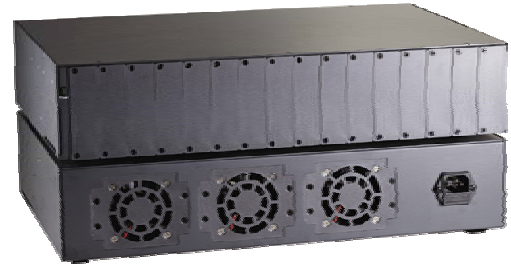


## CVT-RACK-16S

16 Slots Universal Media Converter Rack with internal AC power

### KEY FEATURES

- Support 16 slots for CVT series Media Converters
- 19-inch Rack Mount, 2U height
- 3 Hot-swappable fans
- LED indication for Power supply
- Plug & Play Operation
- Small Form Factor Converter Chassis
- With fixed AC Power Installed

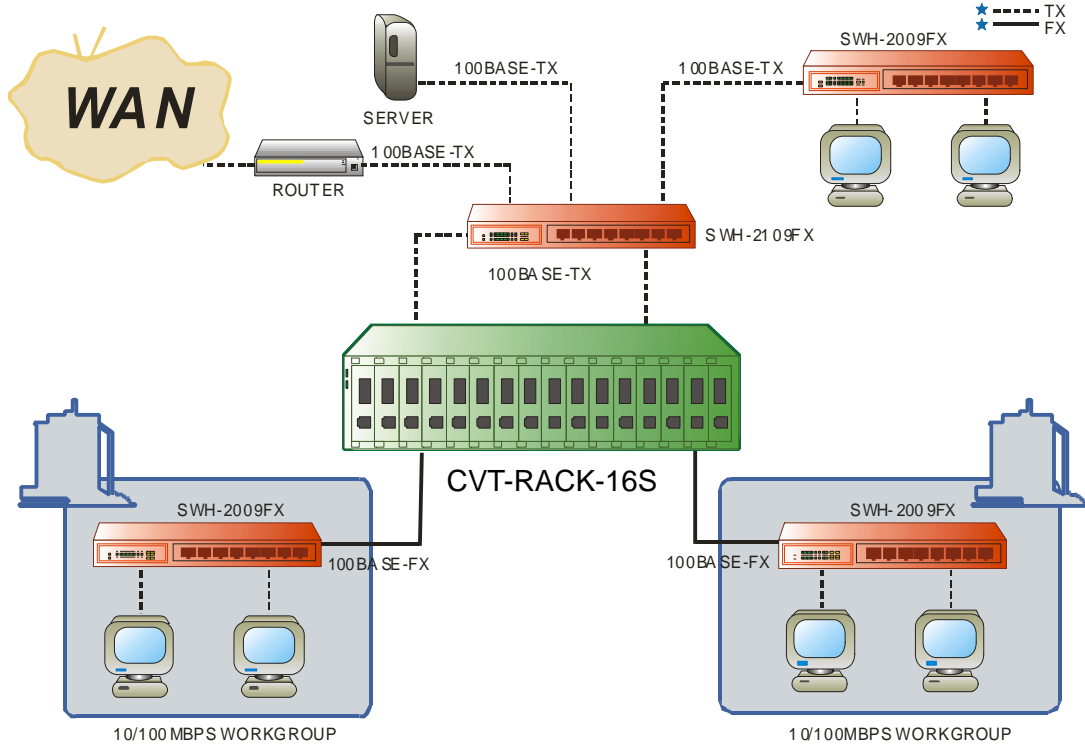


### DESCRIPTIONS

CVT-RACK-16S, Universal Media Converter Rack, provides 16 slots for any combination of CVT Media Converters. Up to sixteen media converters can be powered by the Converter rack without the requirement of external power supplies.

More over, to acquire a convenient maintenance, 3 Hot-swappable fans can be changed while CVT-RACK-16S is working. All above user-friendly designs make CVT-RACK-16S in a shape of high performance and reliability. CVT-RACK-16S can be used as a table top unit or installed into a 19-inch rack by using 19-inch brackets shipped together with the unit.

# APPLICATION



# SPECIFICATIONS

## Interface

Number of Module Slot: 16  
Number of Fan: 3

## LED

Power

## Hot-Swappable

Fan

## Power

## Internal Power

AC 110V or 240V  
Power Rated at 100W (Max)  
DC 5V  
Power Consumption: 9.5 W (Empty Loading)

## Typical Operation Temperature

Operation: 0°~50°C  
Storage Temperature: -20°~60°C Humidity:  
5%~90% non-condensing

## Case material

Iron / Steel, Plastic

## Dimension and Weight

440 x 285x 88 mm (WxDxH)  
Shipping Weight: 6.8KG

## Emission/Safety:

FCC Class A  
CE  
\*For further reports, please contact us for update

# ORDER INFORMATION

CVT-RACK-16S

