



CVT-3012SFP

10/100/1000Base-T to 1000Base-X (SFP Slot) Switch Media Converter

KEY FEATURES

- Comply with IEEE 802.3 10Base-T Standard
- Comply with IEEE 802.3u 100Base-TX Standard
- Comply with IEEE 802.3ab 1000Base-T & IEEE 802.3z 1000Base-X
- Store and Forward Switching Mechanism
- Auto-Cross over for MDI/MDIX in TP port
- Auto-Negotiation in TP port
- Support Selectable ISP Ethernet Tag Type
- Support Q-in-Q Double Tag configuration by Console Management
- Support 4K MAC address
- Support Link Alarm
- Support Jumbo Frame up to : 9728 byte
- Support Auto/Force/Speed/Duplex mode configuration

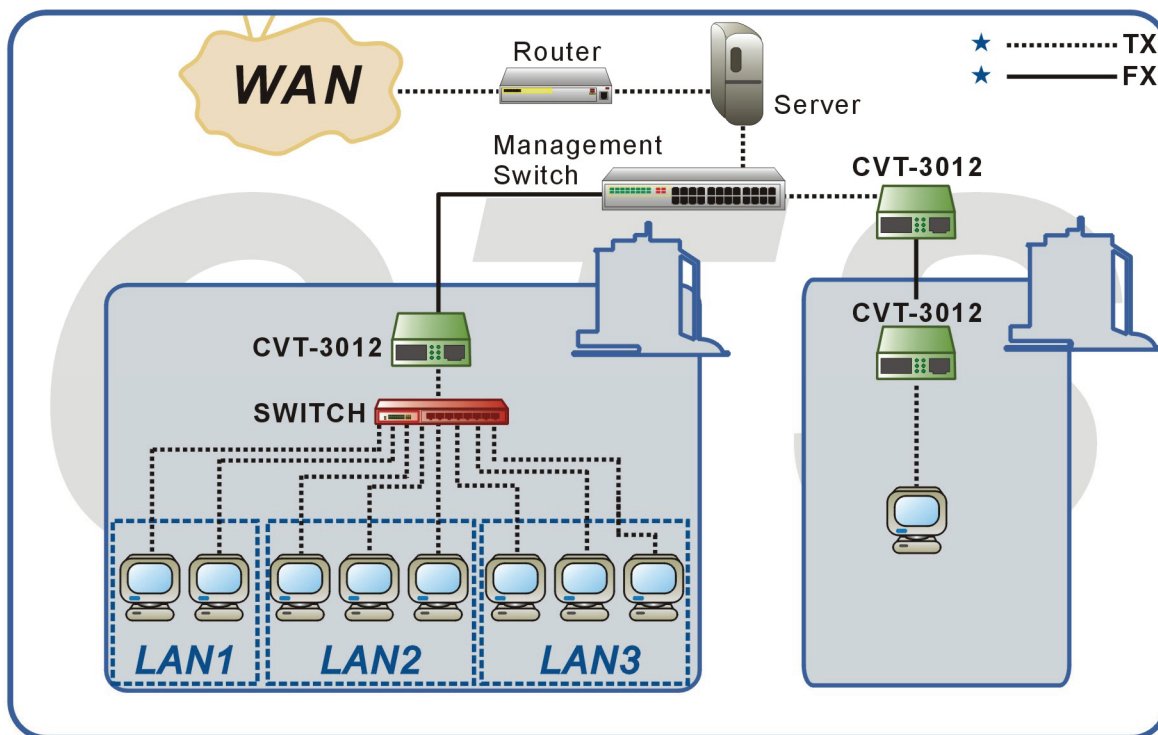


DESCRIPTIONS

CVT-3012SFP 10/100/1000Base-T to 1000Base-X converter from Connection Technology Systems (CTS) is new designed to fit the FTTX deployment, this new Giga converter supports two useful function --- Q-in-Q Double Tag and ISP Ethernet Tag Frame, these functions can provide ISP aggregates incoming traffic from each individual customer. The Max. 9728 byte frame size allows you can adapt to IPTV application. The build in SFP slot provide flexible solution in field application installation and easy to maintain.

CVT-3012SFP is fully compliant with IEEE 802.3 10BASE-T, 802.3u 100Base-TX, 802.3ab 1000Base-T, & 802.3z 1000Base-X standards. With RJ-45 serial interface, user can configure and setup it into suitable operation mode. From function and performance point view, CVT-3012SFP can 100% match your next generation requirement of Giga Media Converter.

APPLICATION



SPECIFICATIONS

Standard

IEEE 802.3 10Base-T
IEEE 802.3u 100Base-TX
IEEE 802.3ab 1000Base-T
IEEE 802.3z 1000Base-X

Interface

10/100/1000Mbps RJ-45 Port x 1
RJ-45 serial interface port x 1
1000Mbps SFP Slot x 1

LED

F/O Link/ACT, Status, TP/FDX, Link
ACT, Speed, COM, PWR

Product Spec:

Mac address table: 4K
Memory buffer: 128KB

Forward / Filter Rate

10M: 14,880/14,880pps
100M: 148,800/148,800pps
1000M: 1,488,000/1,488,000pps

Power

External Power Supply, DC 5V, 1.6A
50, 60 Hz
Power consumption: 4W

Typical Operation & Temperature

Operation: 0° ~ 50°C
Storage Temperature: -20° ~ 60°C
Humidity: 5% ~ 90% non-condensing

Dimension and Weight

Size: 71 x 94 x 26 mm (WxDxH)
Shipping Weight: 0.6KG

Emission/Safety

FCC Class A,
CE
* For further reports, please contact us for update.

ORDER INFORMATION

CVT-3012SFP

