



CVT-3112BTFX / W2X

Gigabit Ethernet 10/100/1000Base-T to 1000Base-X Management Converter

KEY FEATURES

- Comply with IEEE 802.3 10Base-T
- Comply with IEEE 802.3u 100Base-TX
- Comply with IEEE 802.3ab 1000Base-T
- Comply with IEEE 802.3z 1000Base-X
- Store and Forward Switching Mechanism
- Auto- Negotiation in TP port
- Auto-Cross over for MDI/MDIX in TP port
- Support Flow Control
- Support Jumbo frame 9K bytes
- Support Link Alarm
- Support Loopback test
- Support Selectable ISP Ethernet Tag Type
- Support Q-in-Q Double Tag configuration
- Support Bandwidth Control
- Support DHCP Client
- Support SNMP/ Web Managed interface
- Support SNMP v1 and v2c
- Support HTTP Firmware Upgrade
- Support Power Down Trap Management

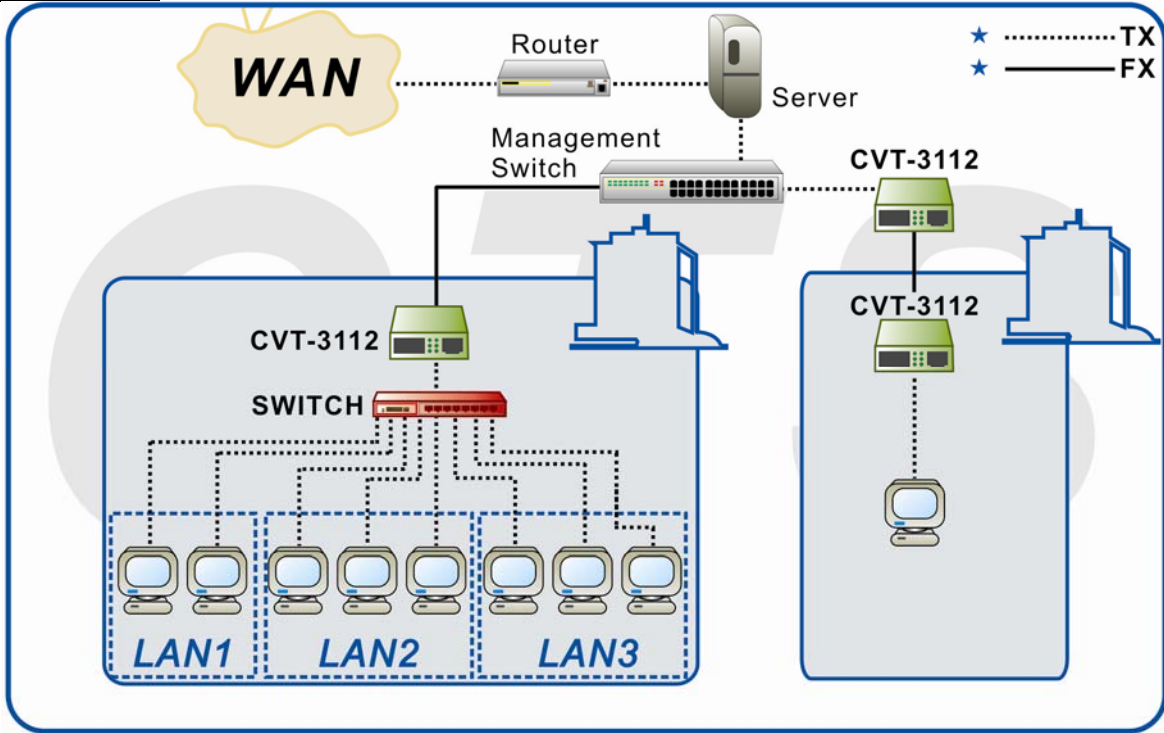


DESCRIPTIONS

CVT-3112BTFX/W2X Gigabit Ethernet 10/100/1000Base-T to 1000Base-X media converter from Connection Technology Systems (CTS) is designed to fit the emerging deployment needs of optical fiber network. This stand-alone converter allows you to connect Ethernet twisted-pair network to optical-fiber network easily and cost effectively to a maximum distance 50KM or 80KM.

CVT-3112BTFX/W2X is fully compliant with IEEE 802.3, 802.3u, 802.3ab & 802.3z standards. The Installation & operation procedures of the CVT-3112BTFX/W2X are simple & straightforward. User can management and monitor the real time operation status easily via SNMP or WEB management interface.

APPLICATION



SPECIFICATIONS

Standard

IEEE 802.3 10Base-T
IEEE 802.3u 100Base-TX
IEEE 802.3ab 1000Base-T
IEEE 802.3z 1000Base-X
IEEE 802.3x flow Control

Interface

10/100/1000Base-T RJ-45 Port x 1
1000Base-X Port x 1

LED

Power, FDX, Status, Speed, FO Link/Act, TX Link/Act

Product Spec:

Mac address table: 1K
Memory buffer: 256Kb

Forward / Filter Rate

10M: 14,880/14,880pps
100M: 148,800/148,800pps
1000M: 1,488,000/1,488,000pps

Power

External. Power Supply, DC 5V, 1.5A
50, 60 Hz
Power consumption: 3.4W

Typical Operation & Temperature

Operation: 0° ~ 50°C
Storage Temperature: -20° ~ 60°C
Humidity: 5% ~ 90% non-condensing

Dimension and Weight

Size: 71 x 94 x 26 mm (WxDxH)
Shipping Weight: 0.6KG

Emission/Safety

FCC Class A,
CE

* For further reports, please contact us for update.

ORDER INFORMATION

Multi-Mode

CVT-3112BTFC

Single-Mode

CVT-3112BTFC(SM-10/20/30/50/80)

Single-Mode-WDM

CVT-3112W2A(SM-10/20/40)

CVT-3112W2B(SM-10/20/40)

