



CVT-3112SFP

Gigabit Ethernet 10/100/1000Base-T to 1000Base-X (SFP) Management Converter

KEY FEATURES

- Comply with IEEE 802.3 10Base-T
- Comply with IEEE 802.3u 100Base-TX
- Comply with IEEE 802.3ab 1000Base-T
- Comply with IEEE 802.3z 1000Base-X
- Store and Forward Switching Mechanism
- Auto- Negotiation in TP port
- Auto-Cross over for MDI/MDIX in TP port
- Support SFF-8472 DMI
- Support Flow Control
- Support Jumbo frame 9K bytes
- Support Link Alarm
- Support Loopback test
- Support Selectable ISP Ethernet Tag Type
- Support Q-in-Q Double Tag configuration
- Support Bandwidth Control
- Support DHCP Client
- Support SNMP/ Web Managed interface
- Support SNMP v1 and v2c
- Support HTTP Firmware Upgrade
- Support Power Down Trap Management

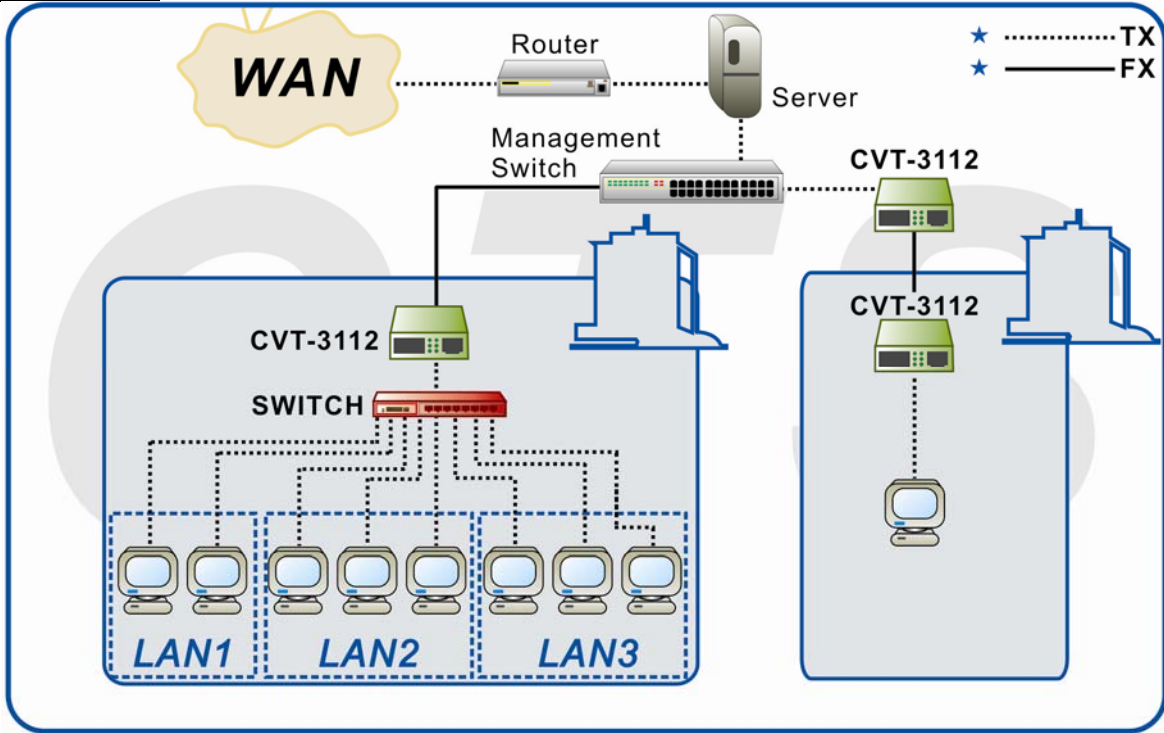


DESCRIPTIONS

CVT-3112SFP Gigabit Ethernet 10/100/1000Base-T to 1000Base-X media converter from Connection Technology Systems (CTS) is designed to fit the emerging deployment needs of optical fiber network. This stand-alone converter allows you to connect Ethernet twisted-pair network to optical-fiber network easily and cost effectively to a maximum distance 50KM or 80KM.

CVT-3112SFP is fully compliant with IEEE 802.3, 802.3u, 802.3ab & 802.3z standards. The Installation & operation procedures of the CVT-3112SFP are simple & straightforward. User can management and monitor the real time operation status easily via SNMP or WEB management interface.

APPLICATION



SPECIFICATIONS

Standard

IEEE 802.3 10Base-T
 IEEE 802.3u 100Base-TX
 IEEE 802.3ab 1000Base-T
 IEEE 802.3z 1000Base-X
 IEEE 802.3x flow Control

Interface

10/100/1000Base-T RJ-45 Port x 1
 1000Base-X SFP slot x 1

LED

Power, FDX, Status, Speed, FO Link/Act, TX Link/Act

Product Spec:

Mac address table: 1K
 Memory buffer: 256Kb

Forward / Filter Rate

10M: 14,880/14,880pps
 100M: 148,800/148,800pps
 1000M: 1,488,000/1,488,000pps

Power

External. Power Supply, DC 5V, 1.5A
 50, 60 Hz
 Power consumption: 3.4W

Typical Operation & Temperature

Operation: 0° ~ 50°C
 Storage Temperature: -20° ~ 60°C
 Humidity: 5% ~ 90% non-condensing

Dimension and Weight

Size: 71 x 94 x 26 mm (WxDxH)
 Shipping Weight: 0.6KG

Emission/Safety

FCC Class A,
 CE
 * For further reports, please contact us for update.

ORDER INFORMATION

CVT-3112SFP

